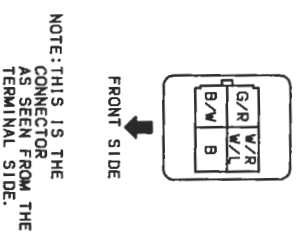
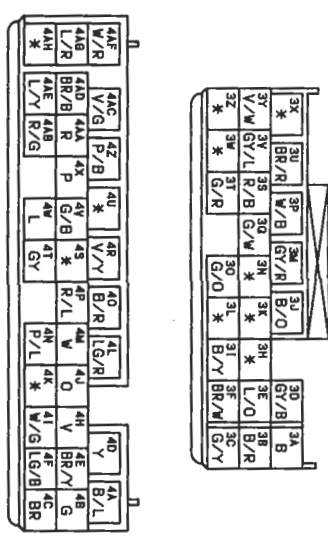
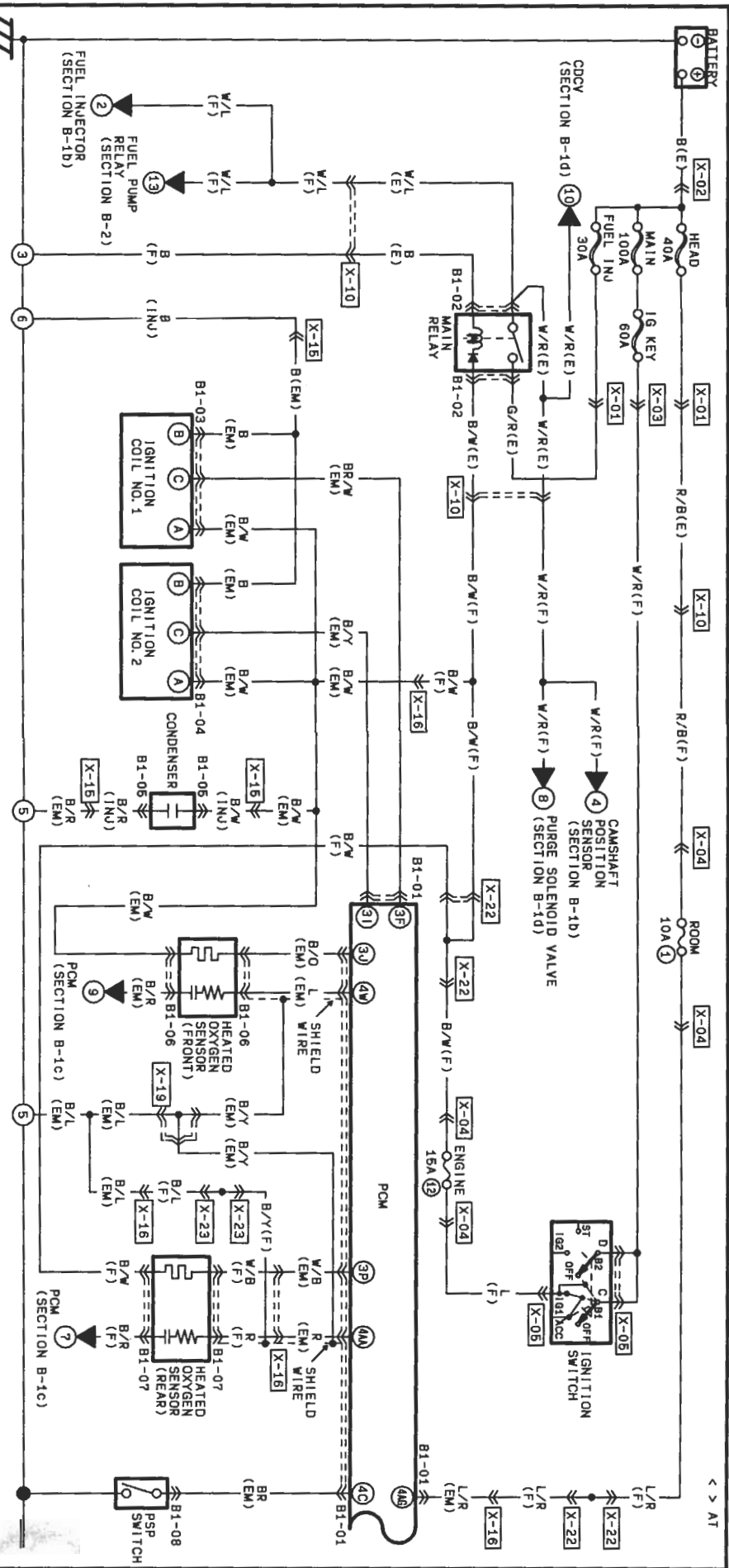


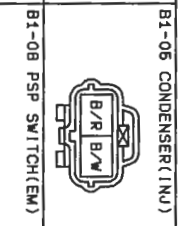
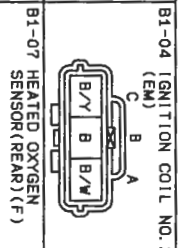
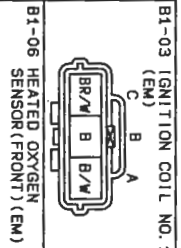
ENGINE CONTROL SYSTEM

B-1a

WIRING DIAGRAM



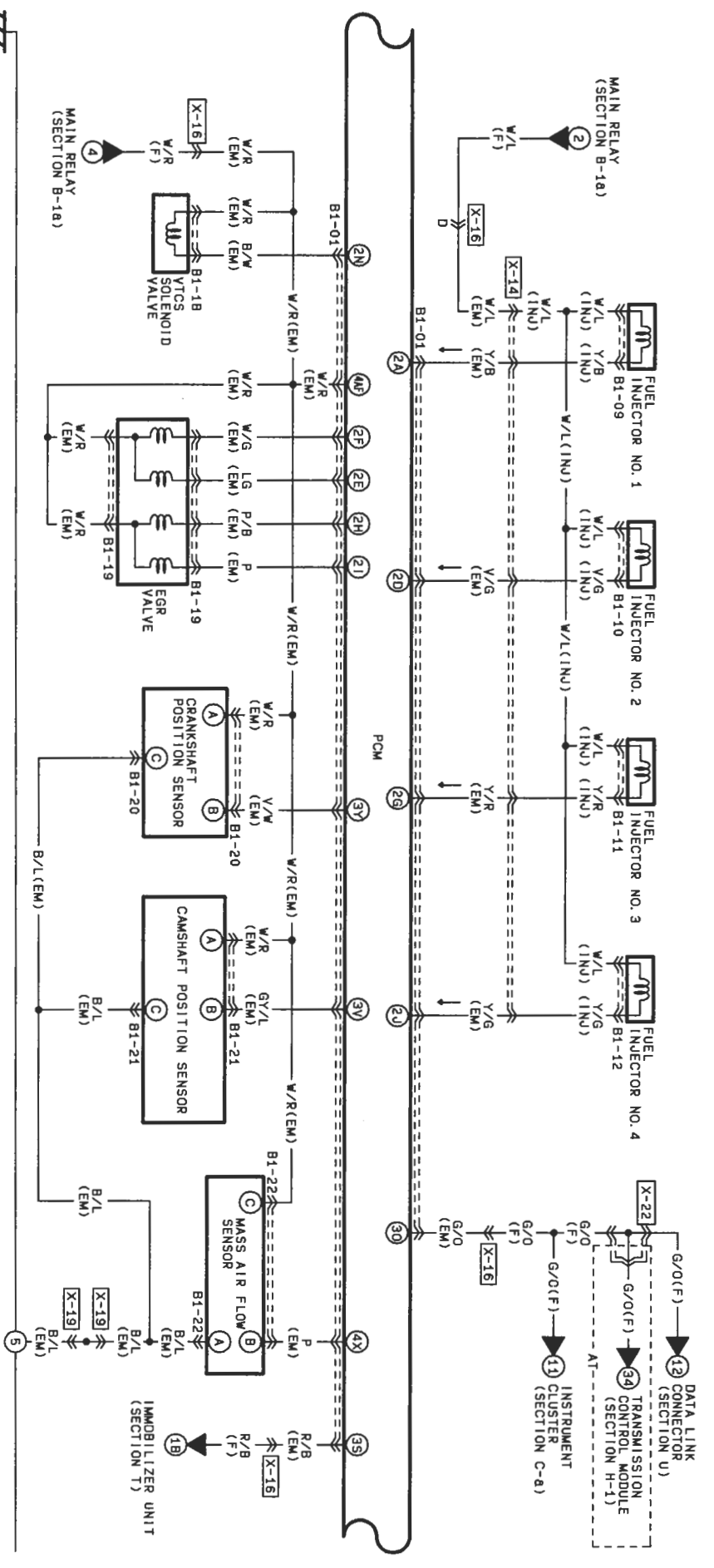
NOTE: THIS IS THE CONNECTOR AS SEEN FROM THE TERMINAL SIDE.



ENGINE CONTROL SYSTEM

B-1b

Z WIRING DIAGRAM

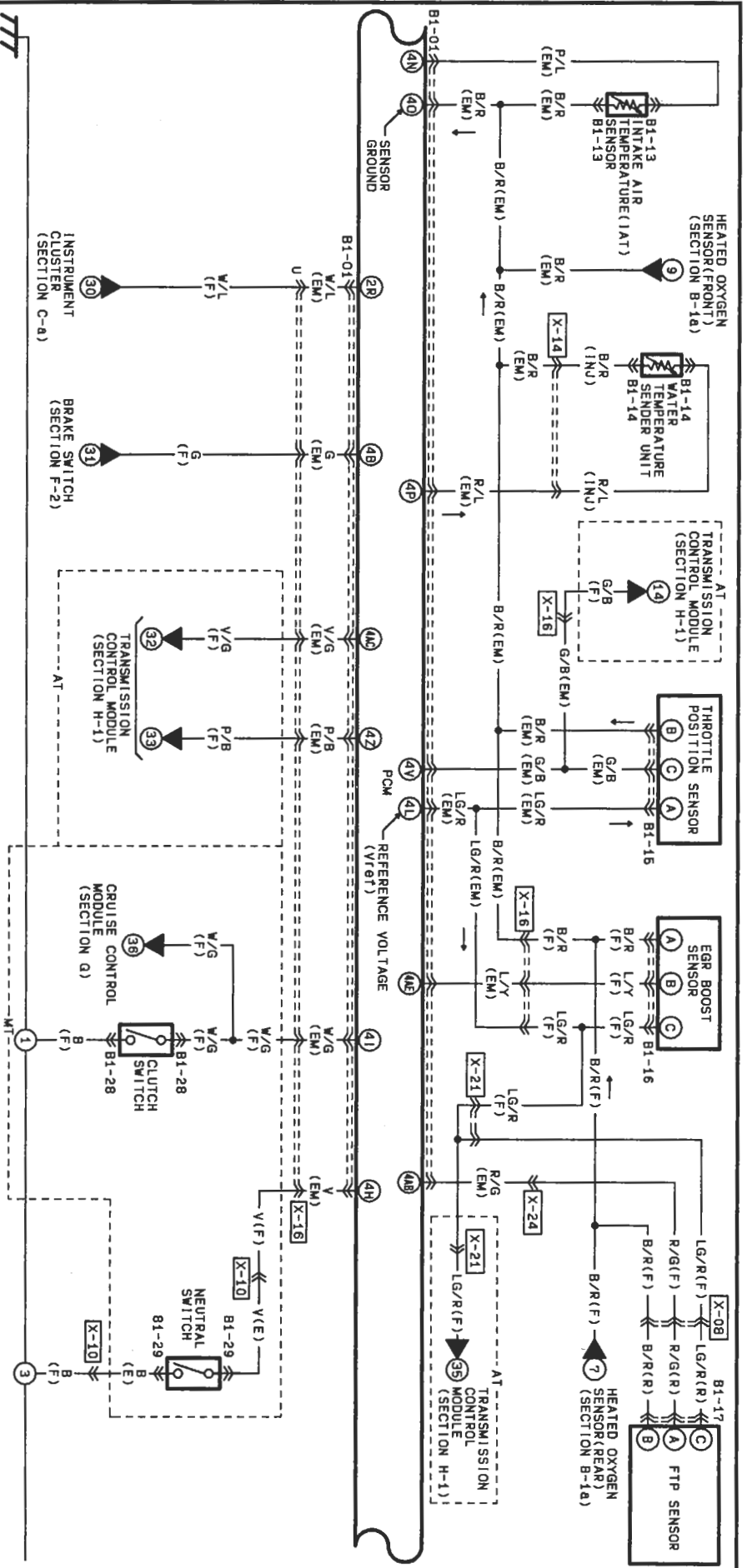


Component	Terminal	Wire Color	Notes
B1-01 PCM(EM)	2P	2M	2U
	2Q	2N	2V
B1-09 FUEL INJECTOR NO. 1 (INU)	1	W/L	(INU)
	2	Y/B	(INU)
B1-10 FUEL INJECTOR NO. 2 (INU)	1	W/L	(INU)
	2	Y/G	(INU)
B1-11 FUEL INJECTOR NO. 3 (INU)	1	W/L	(INU)
	2	Y/R	(INU)
B1-12 FUEL INJECTOR NO. 4 (INU)	1	W/L	(INU)
	2	Y/G	(INU)
B1-18 VTCS SOLENOID	1	B/W	W/R
	2	W/R	
B1-19 EGR VALVE (EM)	1	LG	W/R
	2	W/R	
B1-20 CRANKSHAFT POSITION SENSOR (EM)	1	Y/R	W/L
	2	W/L	
B1-21 CAMSHAFT POSITION SENSOR (EM)	1	Y/R	W/L
	2	W/L	
B1-22 MASS AIR FLOW SENSOR (EM)	1	W/R	P
	2	B/L	
B1-12 IMMOBILIZER UNIT (SECTION T)	1	B/L	(EM)
	2	W/R	

ENGINE CONTROL SYSTEM

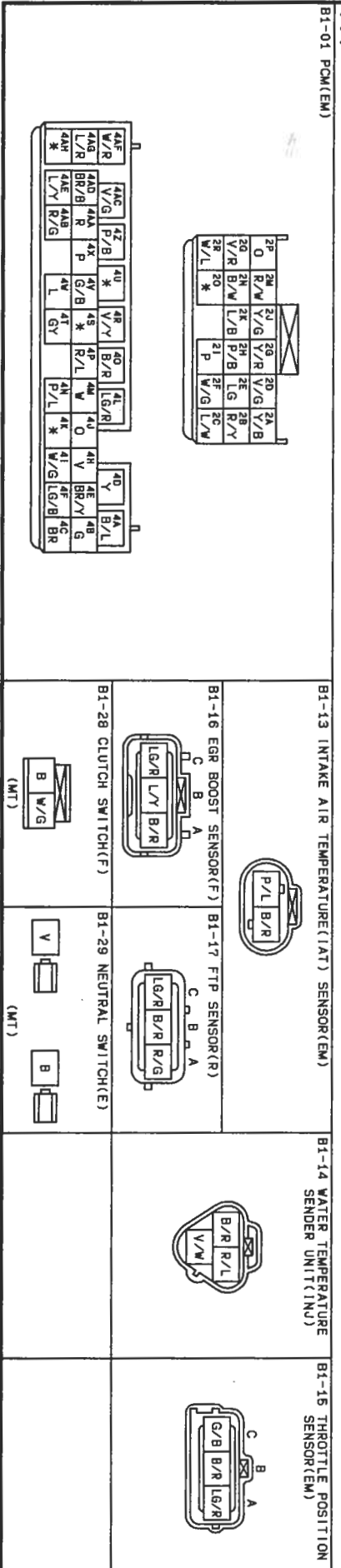
B-1c

Z WIRING DIAGRAM



2P	2Q	2R	2S	2T	2U	2V	2W	2X	2Y	2Z
O	R/W	R/W	V/G	V/R	V/G	V/B	V/B	V/B	V/B	V/B
2R	2S	2T	2U	2V	2W	2X	2Y	2Z	2A	2B
V/R	B/W	L/B	P/B	L/G	R/Y	R/Y	R/Y	R/Y	R/Y	R/Y
2R	2S	2T	2U	2V	2W	2X	2Y	2Z	2A	2B
W/L	*	*	*	*	*	*	*	*	*	*

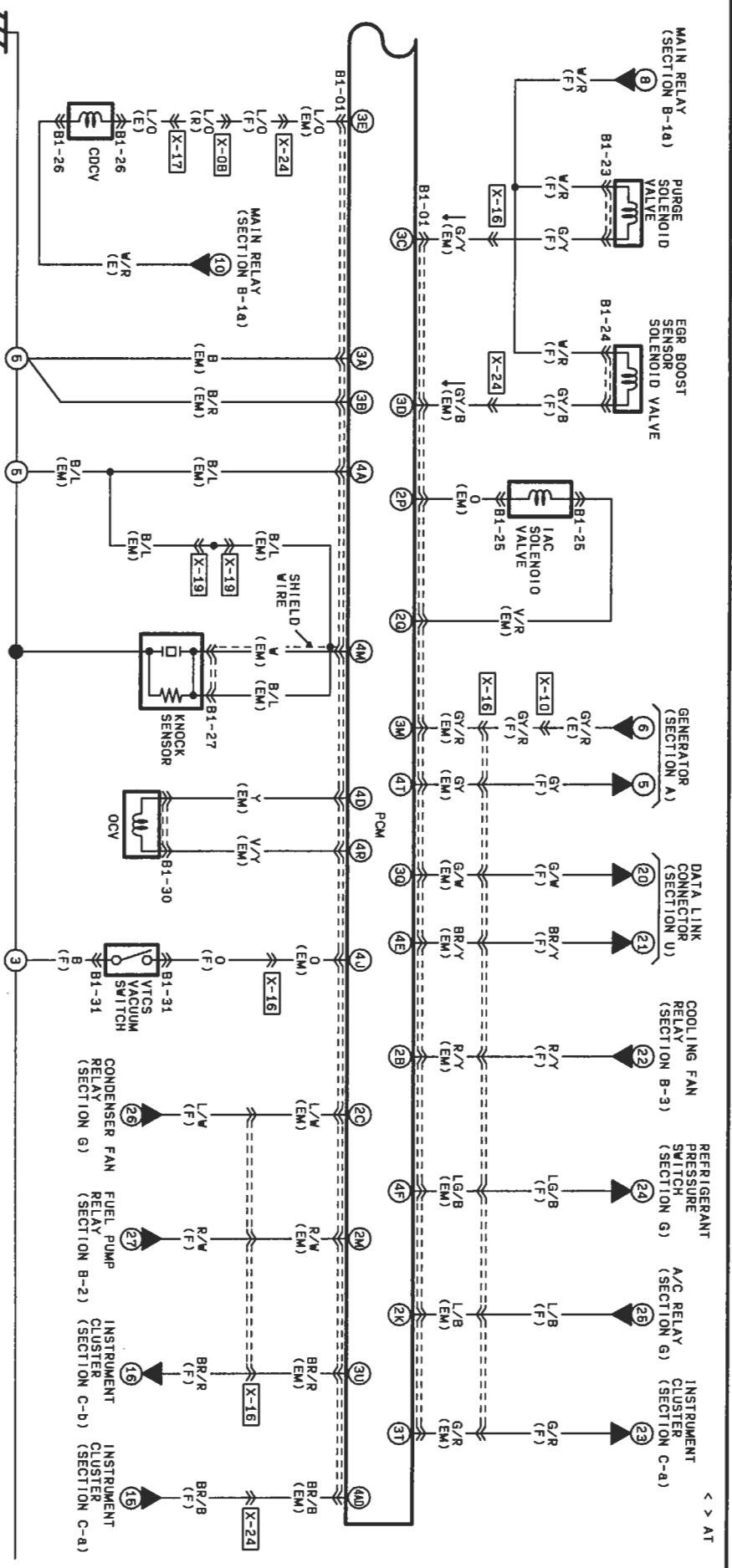
41E	41G	41H	41I	41J	41K	41L	41M	41N	41O	41P
W/R	V/G	P/B	K	V/Y	B/R	L/G/R	K	V	B/L	K
41G	41H	41I	41J	41K	41L	41M	41N	41O	41P	41Q
L/R	B/B	R	G/B	R/L	4M	4N	4O	4P	4Q	4R
41G	41H	41I	41J	41K	41L	41M	41N	41O	41P	41Q
L/Y	B/G	L	4Y	4Z	P/L	4K	4L	4M	4N	4O
*	*	*	*	*	*	*	*	*	*	*



ENGINE CONTROL SYSTEM

B-1d

WIRING DIAGRAM



Component	Wiring	Component	Wiring	Component	Wiring	Component	Wiring
B1-01 PCM(EM)	3A, 3E	B1-23 PURGE SOLENOID VALVE(F)	3A, 3E	B1-24 EGR BOOST SENSOR SOLENOID VALVE(F)	3A, 3E	B1-26 IAC SOLENOID VALVE(EM)	4A, 4D
B1-23 PURGE SOLENOID VALVE(F)	3A, 3E	B1-27 KNOCK SENSOR(EM)	4M	B1-30 OCV(EM)	3A, 3E	B1-31 VTC VACUUM SWITCH	4A, 4D
B1-24 EGR BOOST SENSOR SOLENOID VALVE(F)	3A, 3E	B1-26 IAC SOLENOID VALVE(EM)	4A, 4D	B1-31 VTC VACUUM SWITCH	4A, 4D	B1-26 CDCV(E)	3B, 3C, 3D, 3F, 3G, 3H, 3I, 3J, 3K, 3L, 3M, 3N, 3O, 3P, 3Q, 3R, 3S, 3T, 3U, 3V, 3W, 3X, 3Y, 3Z
B1-27 KNOCK SENSOR(EM)	4M	B1-30 OCV(EM)	3A, 3E	B1-26 CDCV(E)	3B, 3C, 3D, 3F, 3G, 3H, 3I, 3J, 3K, 3L, 3M, 3N, 3O, 3P, 3Q, 3R, 3S, 3T, 3U, 3V, 3W, 3X, 3Y, 3Z		
B1-30 OCV(EM)	3A, 3E	B1-26 CDCV(E)	3B, 3C, 3D, 3F, 3G, 3H, 3I, 3J, 3K, 3L, 3M, 3N, 3O, 3P, 3Q, 3R, 3S, 3T, 3U, 3V, 3W, 3X, 3Y, 3Z				
B1-31 VTC VACUUM SWITCH	4A, 4D						
B1-26 CDCV(E)	3B, 3C, 3D, 3F, 3G, 3H, 3I, 3J, 3K, 3L, 3M, 3N, 3O, 3P, 3Q, 3R, 3S, 3T, 3U, 3V, 3W, 3X, 3Y, 3Z						