

WIRING DIAGRAMS
Article Text
1990 Mazda Miata
For Yorba Linda Miata
Copyright © 1998 Mitchell Repair Information Company, LLC
Saturday, May 10, 2003 11:19AM

ARTICLE BEGINNING

1990 WIRING DIAGRAMS
Mazda

Miata

IDENTIFICATION

COMPONENT LOCATION MENU

COMPONENT LOCATIONS TABLE

AAAAAAAAAAAAAAAAAAAAAAAAAAAAAAAAAAAAAAAAAAAAAAAAAAAAAAAAAAAAAAAAAAAAAAAA

Component	Figure No. (Location)
A/C RELAY	3 (E 11)
A/C THERMO SWITCH	3 (E 8)
A/T CONTROL UNIT	4 (D-E 16)
AIR BAG CONTROL UNIT	4 (B 16)
ALTERNATOR	1 (D 3)
BACKUP BATTERY	5 (A 16)
BATTERY	1 (A 2)
BLOWER MOTOR RELAY	3 (D 9)
CIG LIGHTER	3 (C 9)
CIRCUIT OPENING RELAY	2 (C 4)
CLUTCH SWITCH M/T	2 (E 7)
COMBINATION SW	4, 5 (D 12 C 16)
COOLING FAN RELAY	3 (E 10)
CRUISE CONTROL	4 (C-E 15)
DIAG CONNECTOR	2 (B 4)
DIR/HAZ SWITCH	4 (C 14)
DOOR SWITCH	3 (C 10)
ENGINE CONTROL UNIT (ECU)	2 (A 4-7)
FOG LIGHT SWITCH	4 (C 12)
FUEL TANK UNIT	5 (A 18)
FUSE BLOCK	3 (B 9-10)
HEADLIGHT RELAY	4 (D 14)
HEADLIGHT RETRACTORS	1 (B 1, D 1)
HEATER CONTROL UNIT	3 (E 8)
HORN RELAY	5 (C 17)
IGNITER	2 (C 4)
IGNITION COIL	2 (D 4)
IGNITION SWITCH	3 (A 8)
ILLUM LIGHTS	4 (B-C 12-13)
INHIBITOR SWITCH	1 (A 3)
INSTRUMENT CLUSTER	4 (A 12-15)
JOINT CONNECTOR #2	5 (A-B 17)
MAIN RELAY	2 (E 4)
O/D OFF SWITCH	2 (E 4)
PANEL LIGHT CONTROL SWITCH	4 (B 12)
POWER WINDOW MAIN SWITCH	5 (B 18)

WIRING DIAGRAMS

Article Text (p. 2)

1990 Mazda Miata

For Yorba Linda Miata

Copyright © 1998 Mitchell Repair Information Company, LLC

Saturday, May 10, 2003 11:19AM

RADIO (PARTIAL) 4 (B 15)
RELAY & MAIN FUSE BLOCK 1 (C 3)
RETRACTOR RELAY 1 (D 2)
RETRACTOR/HAZARD SWITCH 4 (C 14)
SHIFT LOCK ACTUATOR 5 (D-E 18)
STARTER 1 (A 3)
STARTER INTERLOCK SWITCH 1 (A 3)
STOP LT SW 3 (C 11)
TNS RELAY 4 (E 14)
WARNING BUZZER 3 (D 11)
WIPER MOTOR 1 (E 3)
WASHER MOTOR 1 (E 3)
AAAAAAAAAAAAAAAAAAAAAAAAAAAAAAAAAAAAAAAAAAAAAAAAAAAAAAAAAAAAAAAAAAAA

WIRING DIAGRAMS

WIRING DIAGRAMS

Article Text (p. 3)

1990 Mazda Miata

For Yorba Linda Miata

Copyright © 1998 Mitchell Repair Information Company, LLC

Saturday, May 10, 2003 11:19AM

COMPONENT LOCATOR:

A/C RELAY	E 11
A/C THERMO SW	E 9
AVT CONTROL UNIT	D-E 16
AIR BAG CONTROL UNIT	B 16
ALTERNATOR	D 3
BACKUP BATTERY	A 16
BATTERY	A 2
BLOWER MOTOR RELAY	D 9
COG LTR	C 9
CIRCUIT OPENING RELAY	C 4
CLUTCH SW (M/T)	E 7
COMBINATION SW	D 12/C 16
COOLING FAN RELAY	E 10
CRUISE CONTROL	C-E 15
DIAG CONN	B 4
DIR/HAZ FLASHER	C 14
DOOR SWS	D 10
ENGINE CONTROL UNIT (ECU)	A 4-7
FUEL TANK UNIT	A 18
FUSE BLOCK	B 9-10
HEADLT RETRACTORS	D 14
HEATER CONTROL UNIT	B 1, D 1
HORN RELAY	C 17
IGNITER	C 4
IGNITION COIL	D 4
IGNITION SW	A 8
ILLUM LTS	B-C 12-13
INHIBITOR SW	A 3
INST CLSTR	A 12-15
INTERIOR LTS	C 11
JOINT CONN #2	A-B 17
MAIN RELAY	E 4
O/D OFF SW	D 17
PANEL LTS CONTROL SW	B 12
POWER WINDOW MAIN SW	B 18
RAD O/PARTIAL	B 5
RELAY & MAIN FUSE BLOCK	C 3
RETRACTOR RELAY	D 2
RETRACTOR/HAZARD SW	C 14
SHIFT LOCK ACTUATOR	D-E 18
STARTER	A 3
STARTER INTERLOCK SW	A 3
STOP LT SW	C 11
TNS RELAY	E 14
W/SHIELD WIPER MOTOR	D 11
WARNING BUZZER	E 3
WASHER MOTOR	E 3

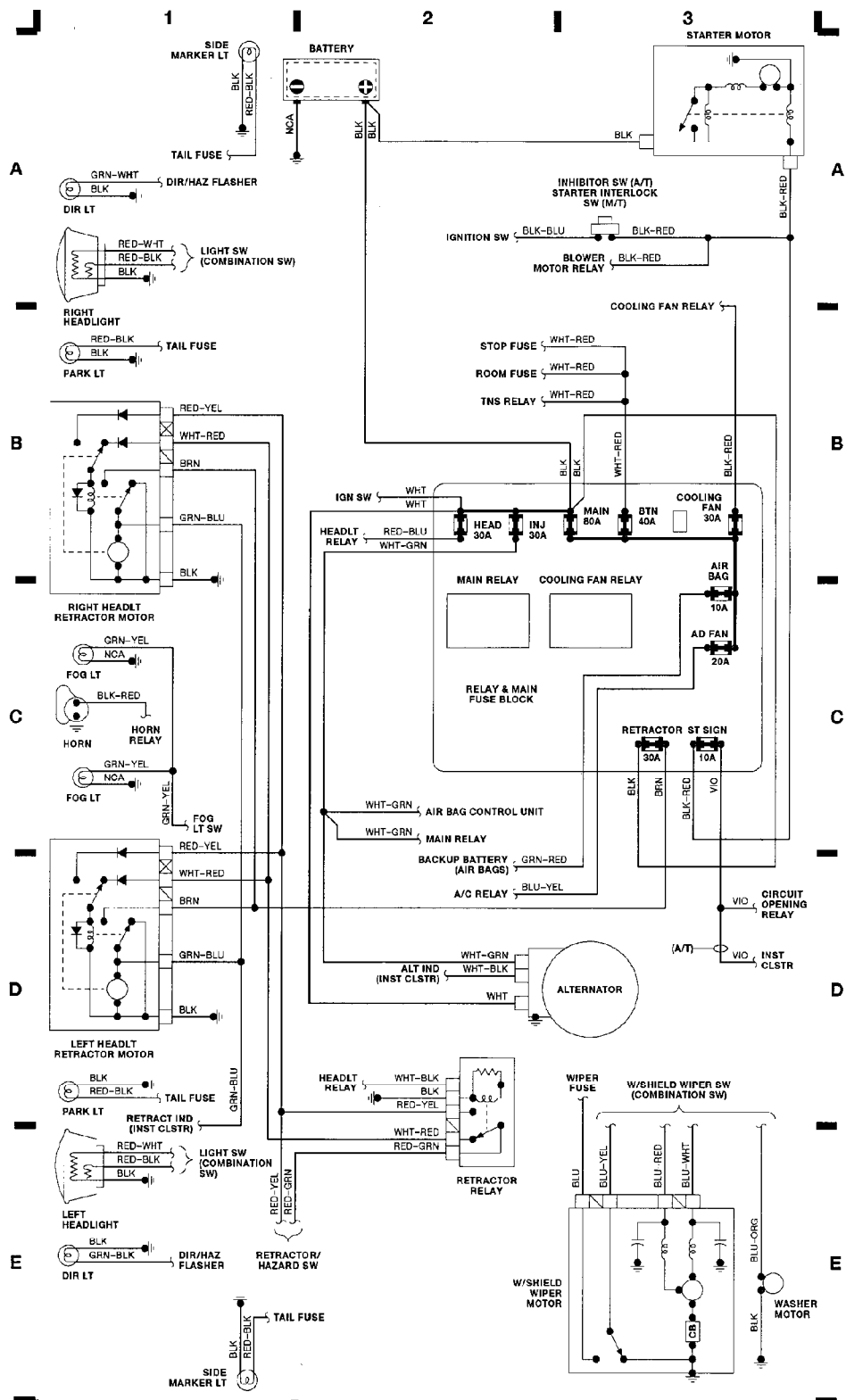


Fig. 1: Engine Compartment, Headlights (Grid 1-3)

90J22706

WIRING DIAGRAMS
Article Text (p. 4)
 1990 Mazda Miata
 For Yorba Linda Miata
 Copyright © 1998 Mitchell Repair Information Company, LLC
 Saturday, May 10, 2003 11:19AM

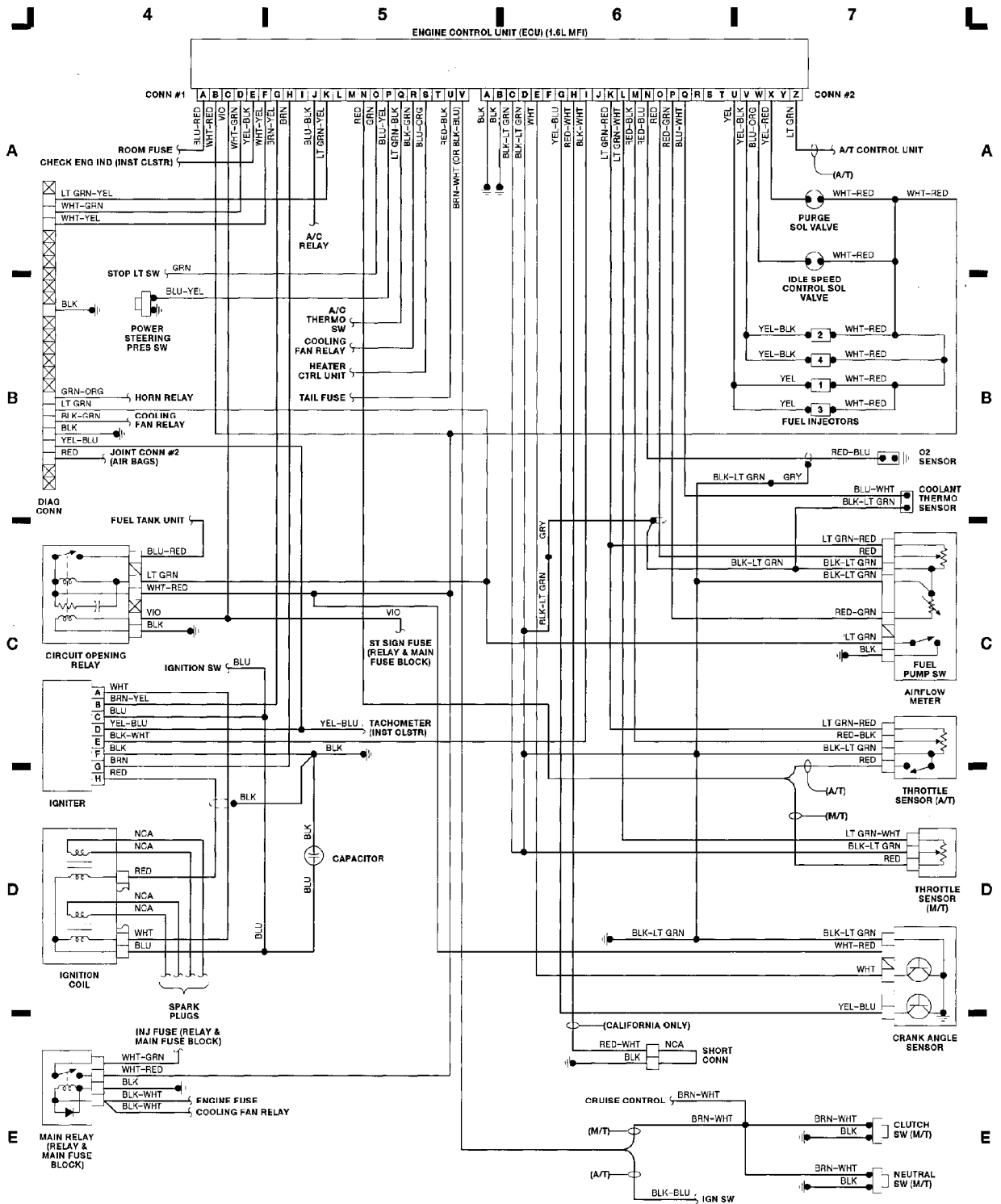


Fig. 2: Computer Engine Control (Grid 4-7)

WIRING DIAGRAMS
Article Text (p. 5)
 1990 Mazda Miata
 For Yorba Linda Miata
 Copyright © 1998 Mitchell Repair Information Company, LLC
 Saturday, May 10, 2003 11:19AM

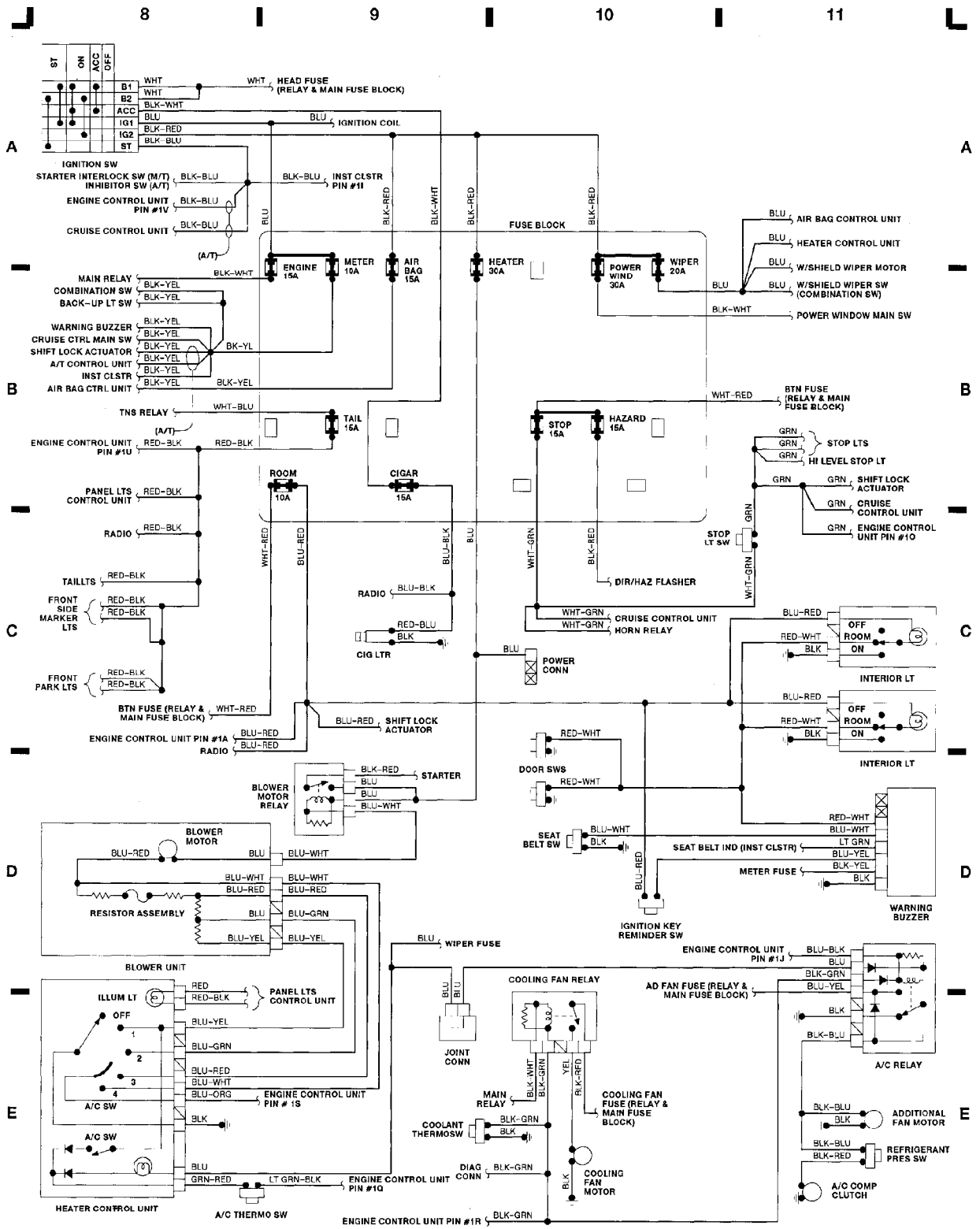


Fig. 3: Fuse Block, Heater (Grid 8-11)

WIRING DIAGRAMS
Article Text (p. 6)
 1990 Mazda Miata
 For Yorba Linda Miata
 Copyright © 1998 Mitchell Repair Information Company, LLC
 Saturday, May 10, 2003 11:19AM

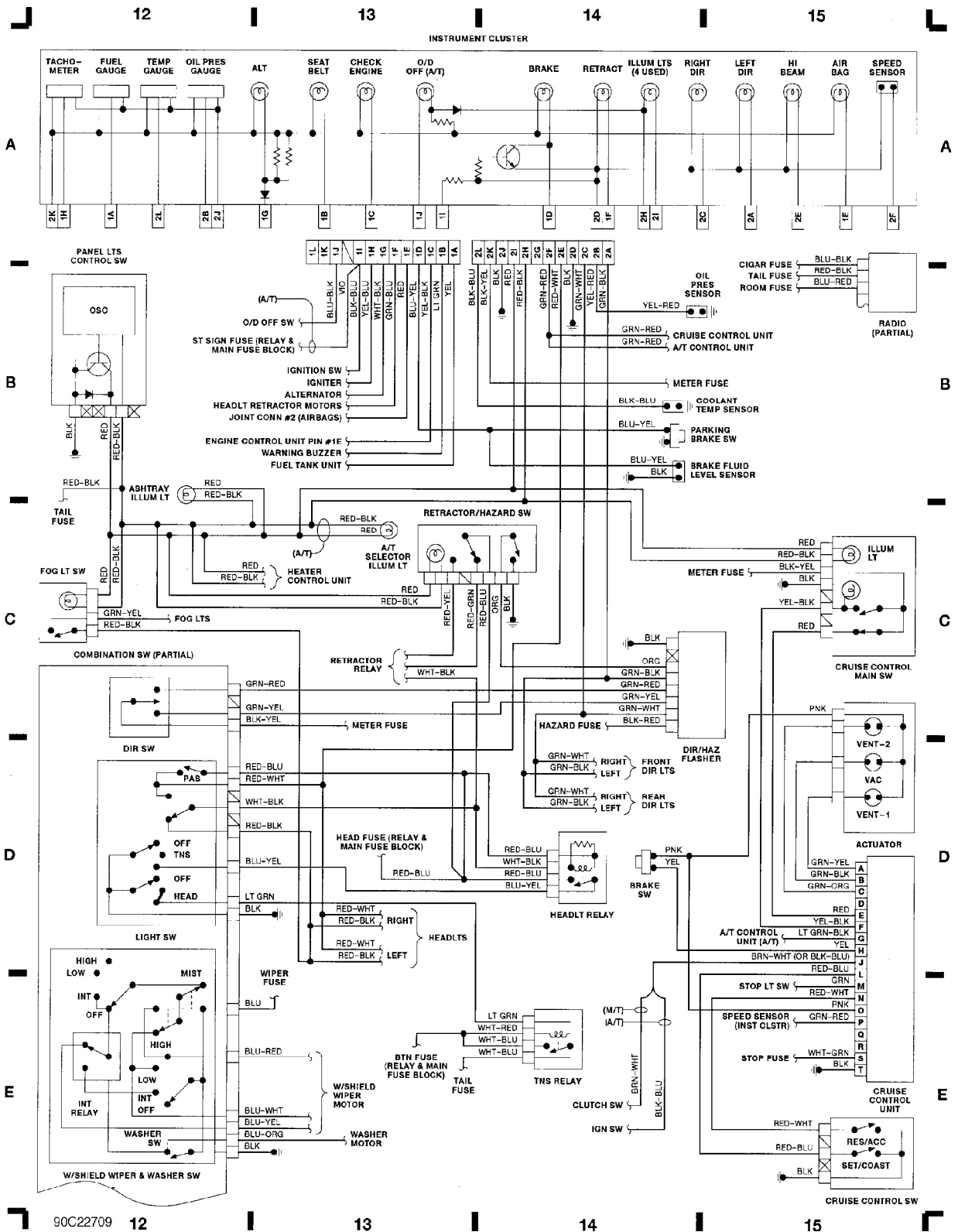


Fig. 4: Instrument Panel, Comb Switch, Cruise Control (Grid 12-15)

WIRING DIAGRAMS
Article Text (p. 7)
 1990 Mazda Miata
 For Yorba Linda Miata
 Copyright © 1998 Mitchell Repair Information Company, LLC
 Saturday, May 10, 2003 11:19AM

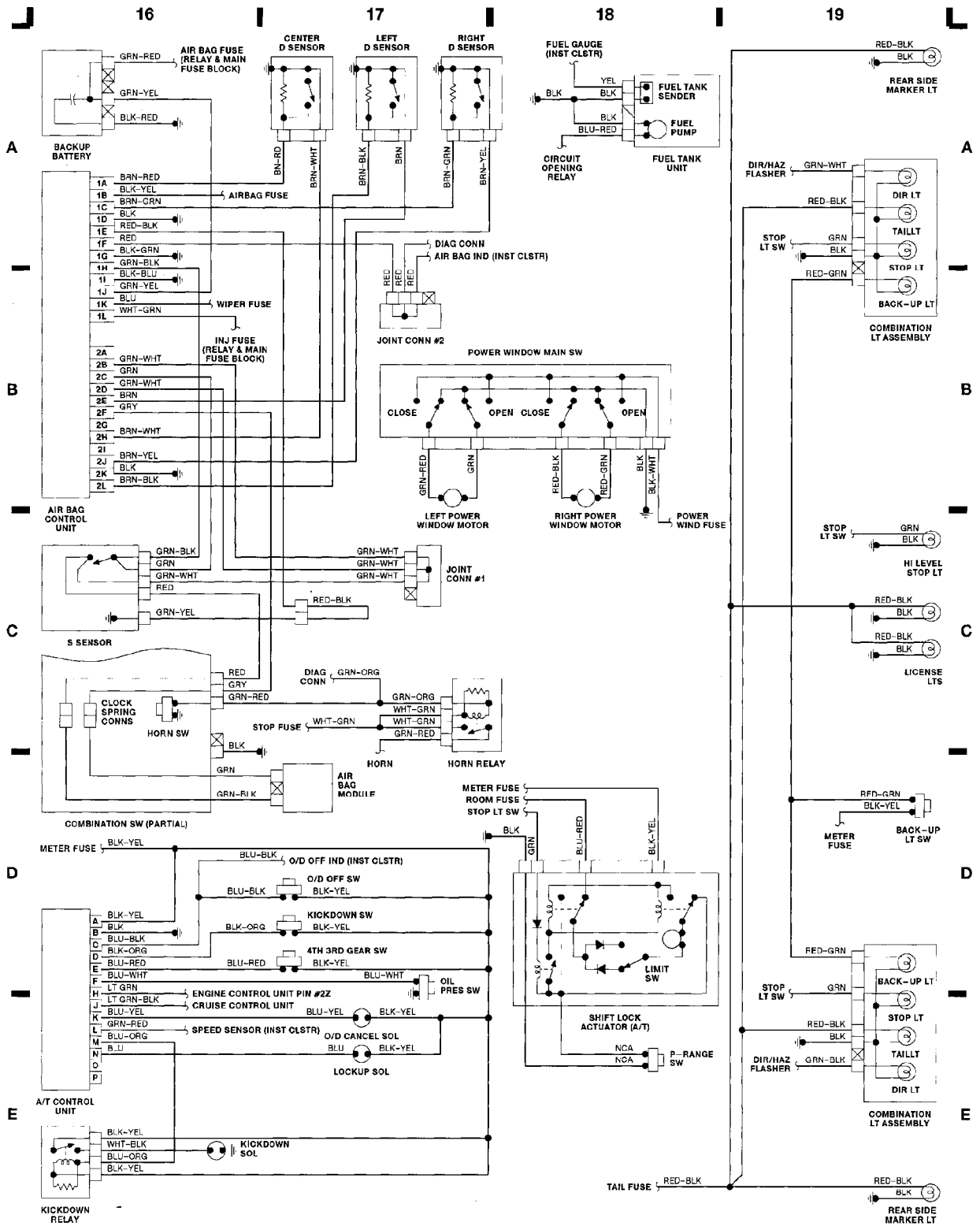


Fig. 5: Airbag, Power Window, Taillights (Grid 16-19)

END OF ARTICLE